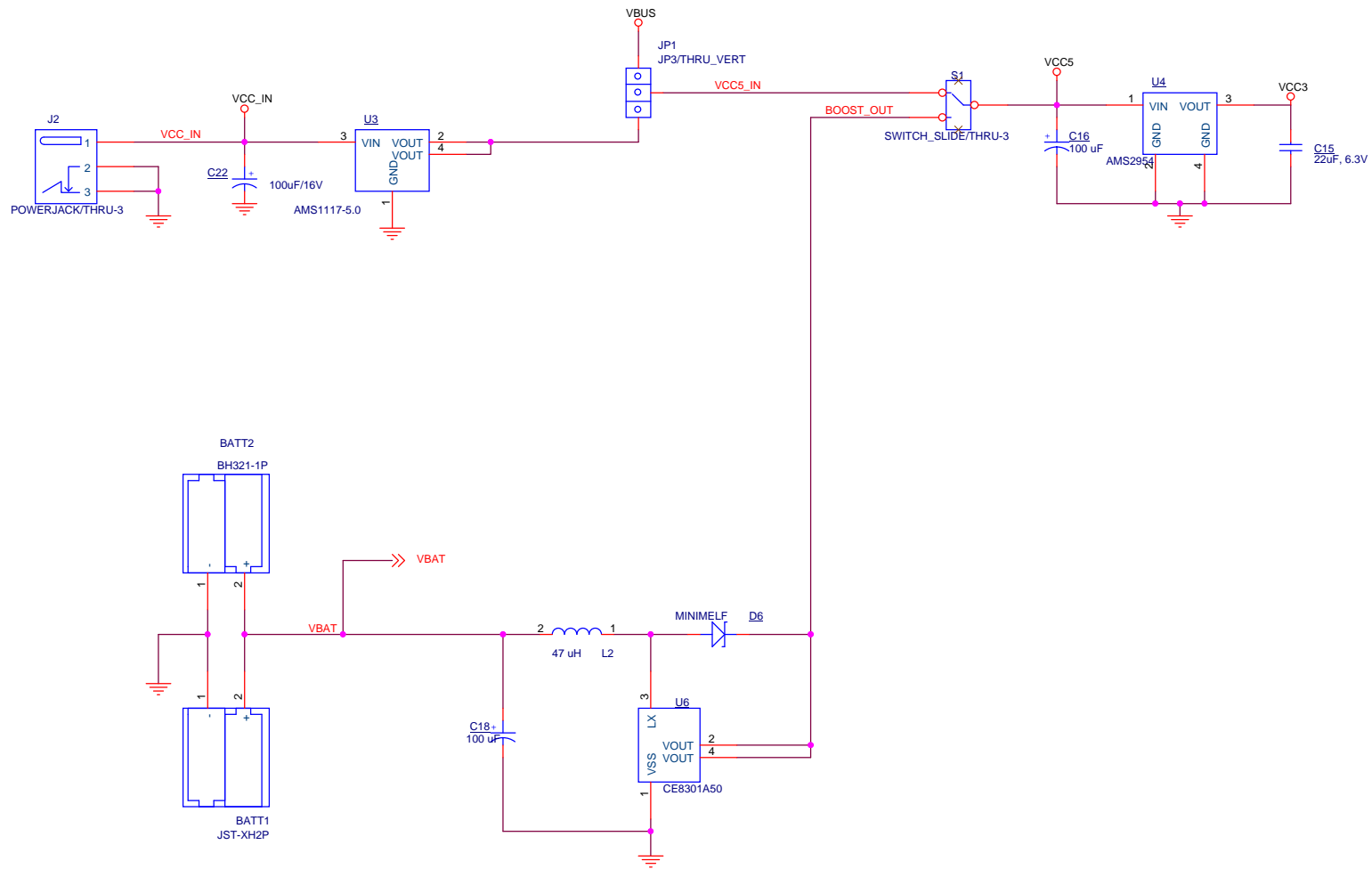


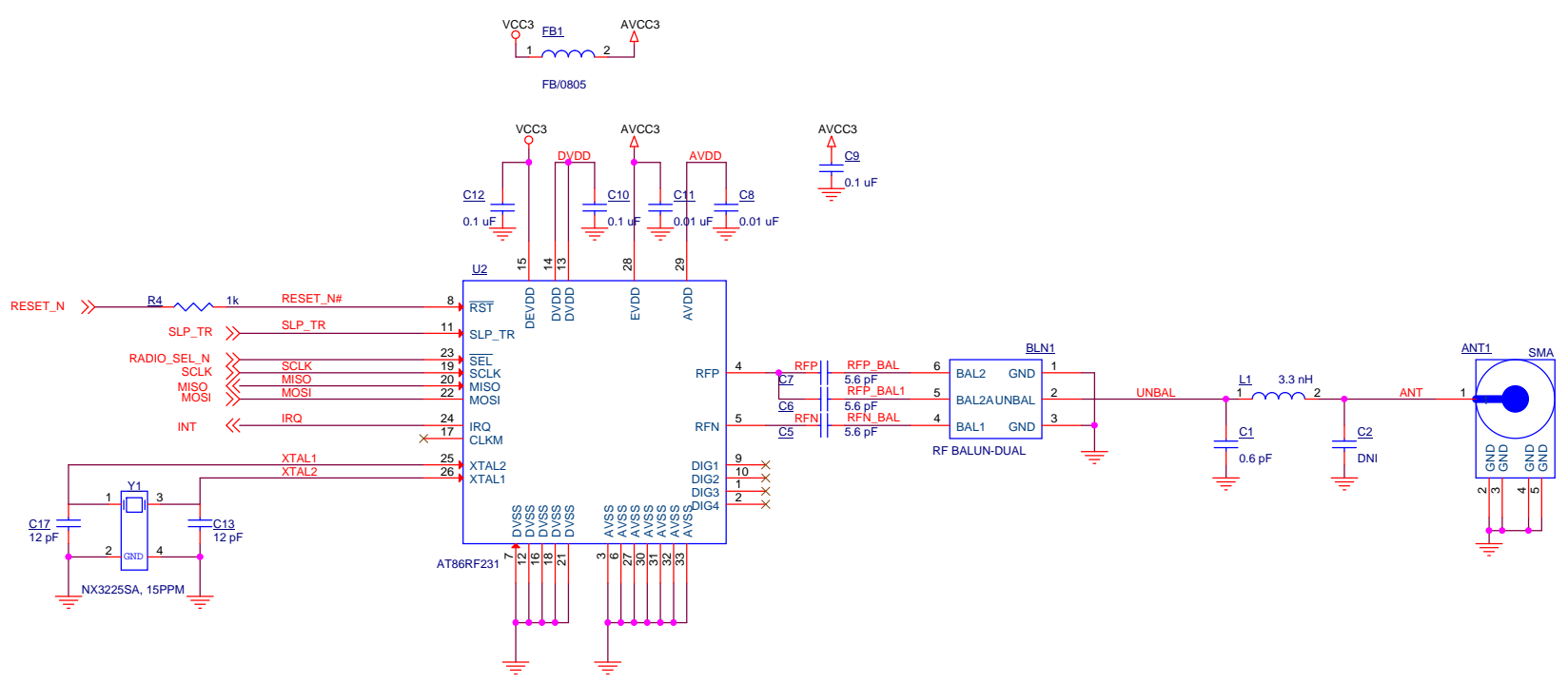
FREAKLABS

Size A	Project Title: FREAKDUINO 1284P Page Title: MISC	Rev v3.0
Date: Saturday, August 12, 2017	Sheet 2 of 5	



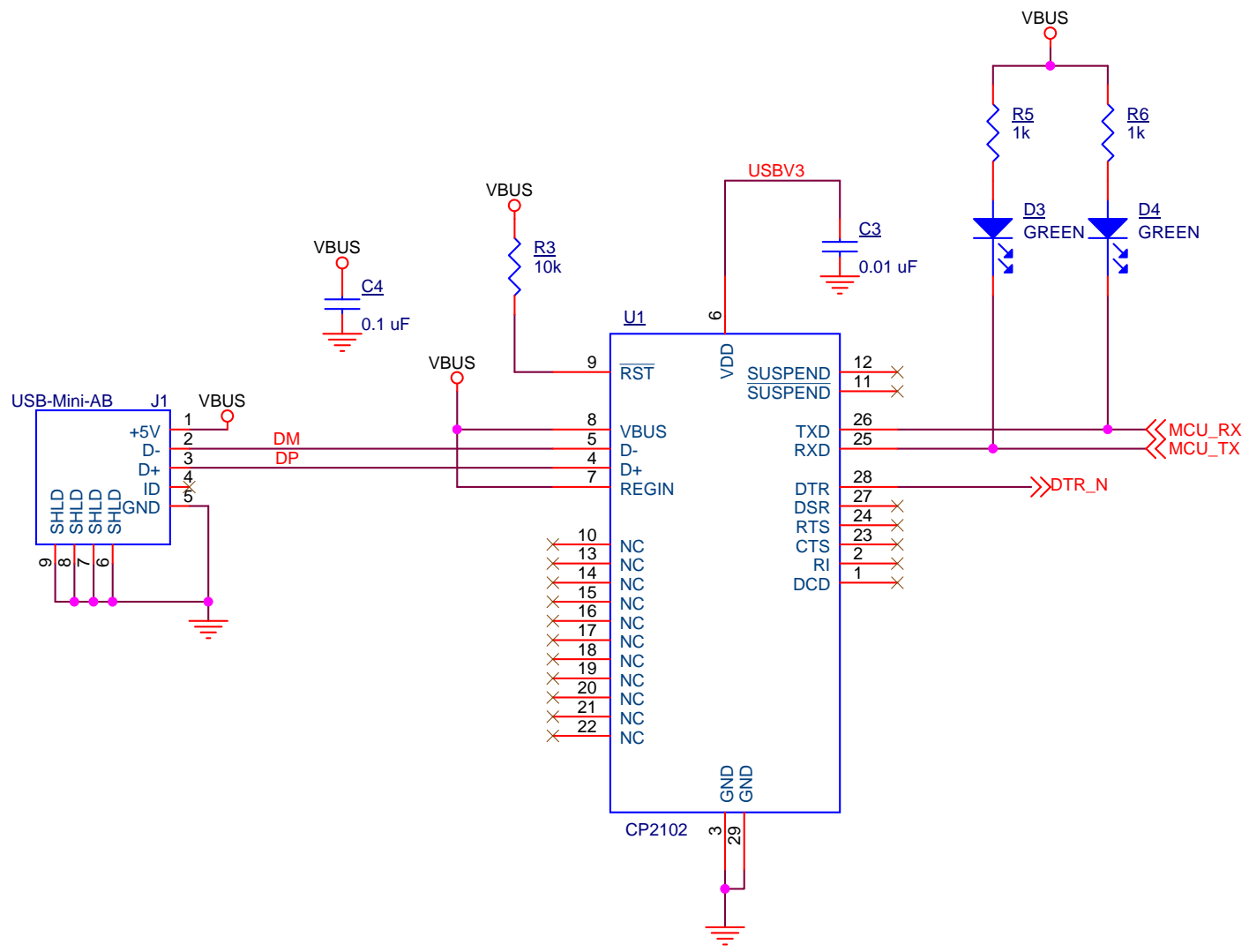
FREAKLABS

Size	Project Title: FREAKDUINO 1284P	Rev
B	Page Title: POWER	v3.0
Date:	Saturday, August 12, 2017	Sheet 3 of 5



FREAKLABS

Size B	Project Title: FREAKDUINO 1284P Page Title: RADIO	Rev v3.0
Date:	Saturday, August 12, 2017	
Sheet		4 of 5



FREAKLABS

Size A	Project Title: FREAKDUINO 1284P Page Title: USB	Rev v3.0
-----------	--	-------------