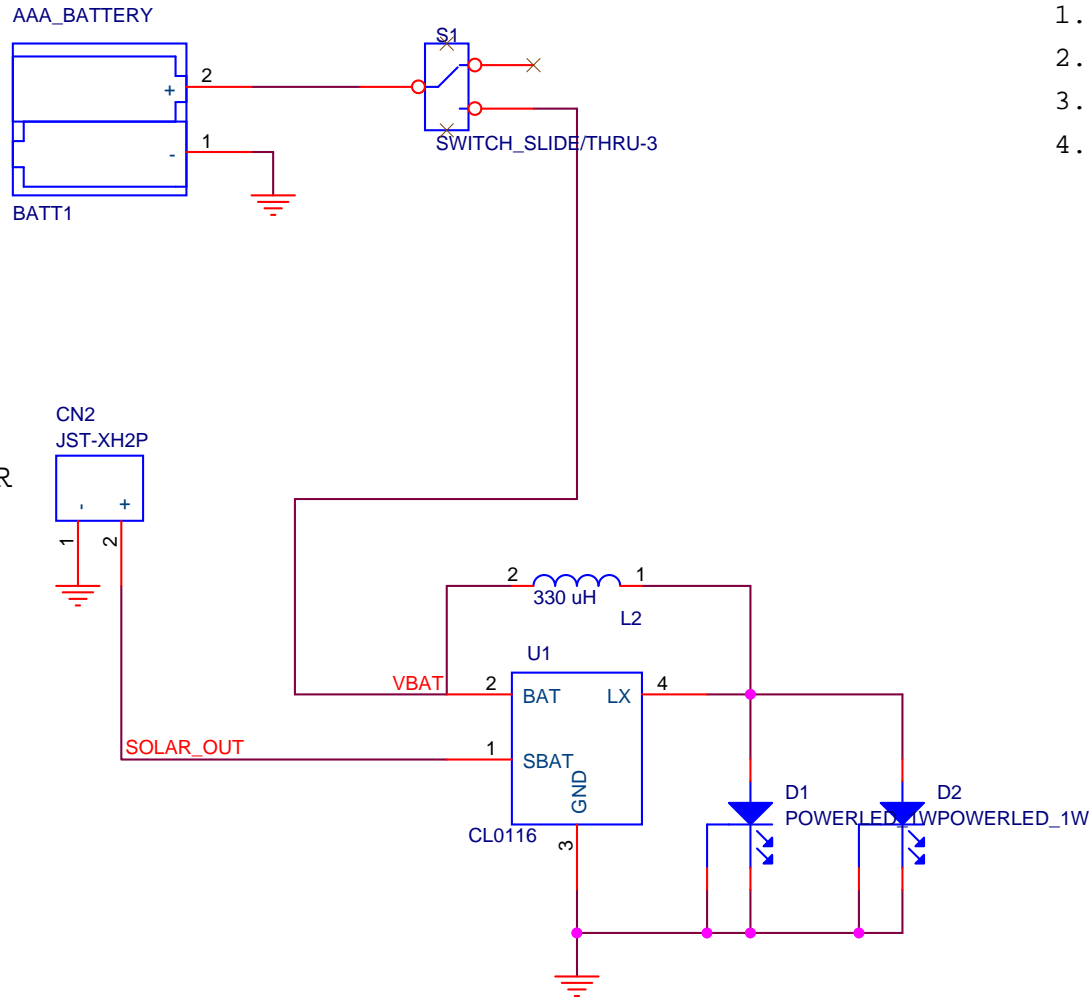


SOLAR
PANEL
CONNECTOR



Inductor Testing

- 1. 330 uH -> 8 mA
- 2. 47 uH -> 70 mA
- 3. 22 uH -> 110 mA
- 4. 10 uH -> 170 mA

FREAKLABS