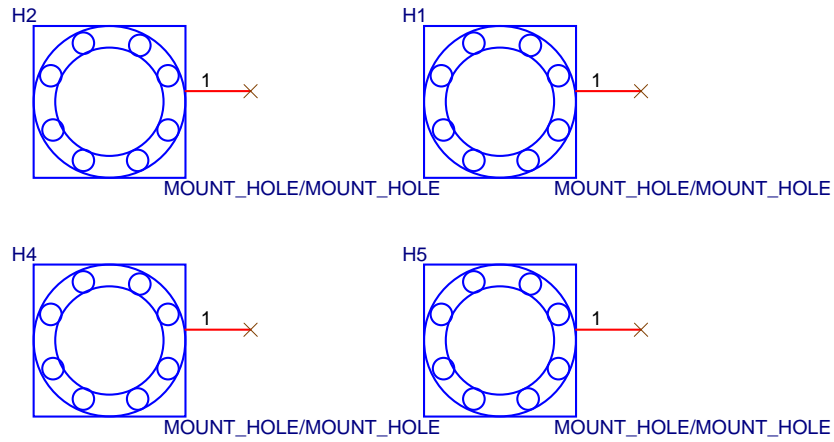


LED CONTROL - THIS MAKES IT POSSIBLE TO TURN OFF THE LEDS. ESPECIALLY IMPORTANT WHEN RUNNING ON BATTERIES.

FREAKLABS

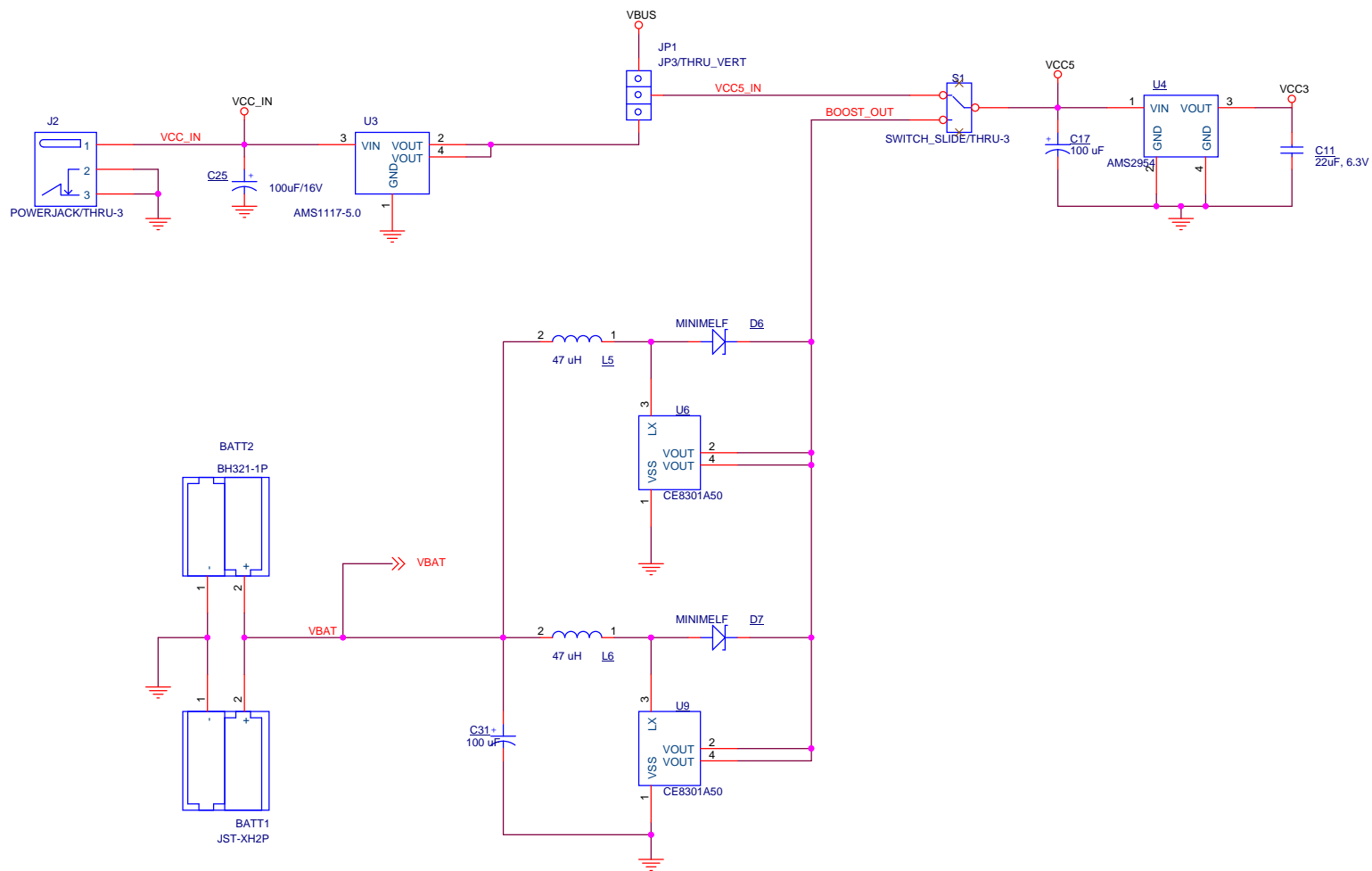
Size	Project Title: FREAKDUINO 900 MHZ LONG RANGE ATMEGA1284P	Rev
B	Page Title: MCU	v3.0
Date:	Saturday, August 12, 2017	Sheet 1 of 5



FREAKLABS

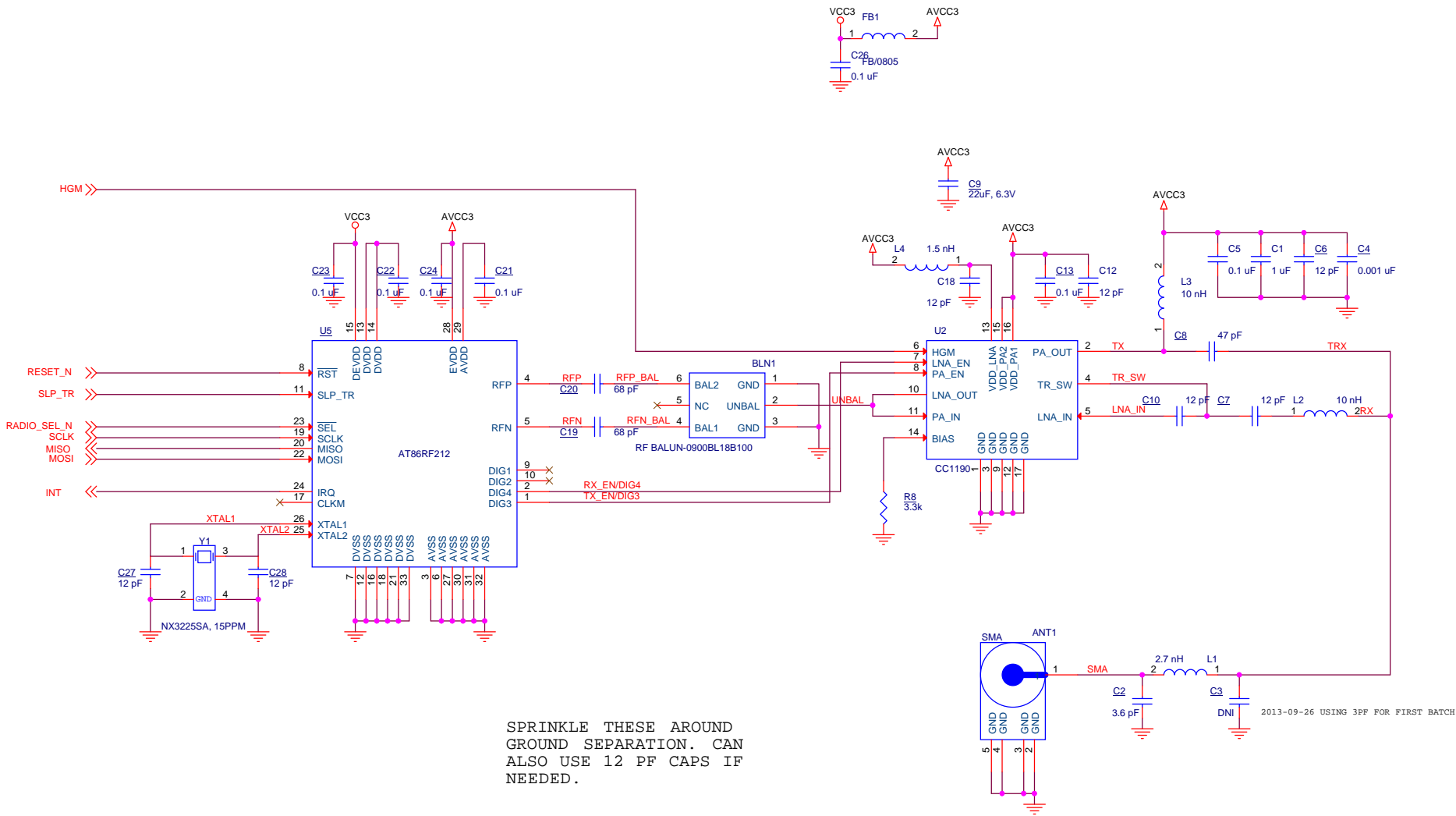
Size A	Project Title: FREAKDUINO 900 MHZ LONG RANGE ATMEGA1284P Page Title: MISC	Rev v3.0
-----------	--	-------------

Date: Saturday, August 12, 2017 Sheet 2 of 5

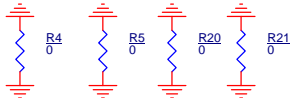


FREAKLABS

Size B	Project Title: FREAKDUINO 900 MHZ LONG RANGE ATMEGA1284P	Rev v3.0
	Page Title: POWER	
Date: Saturday, August 12, 2017	Sheet 3 of 5	

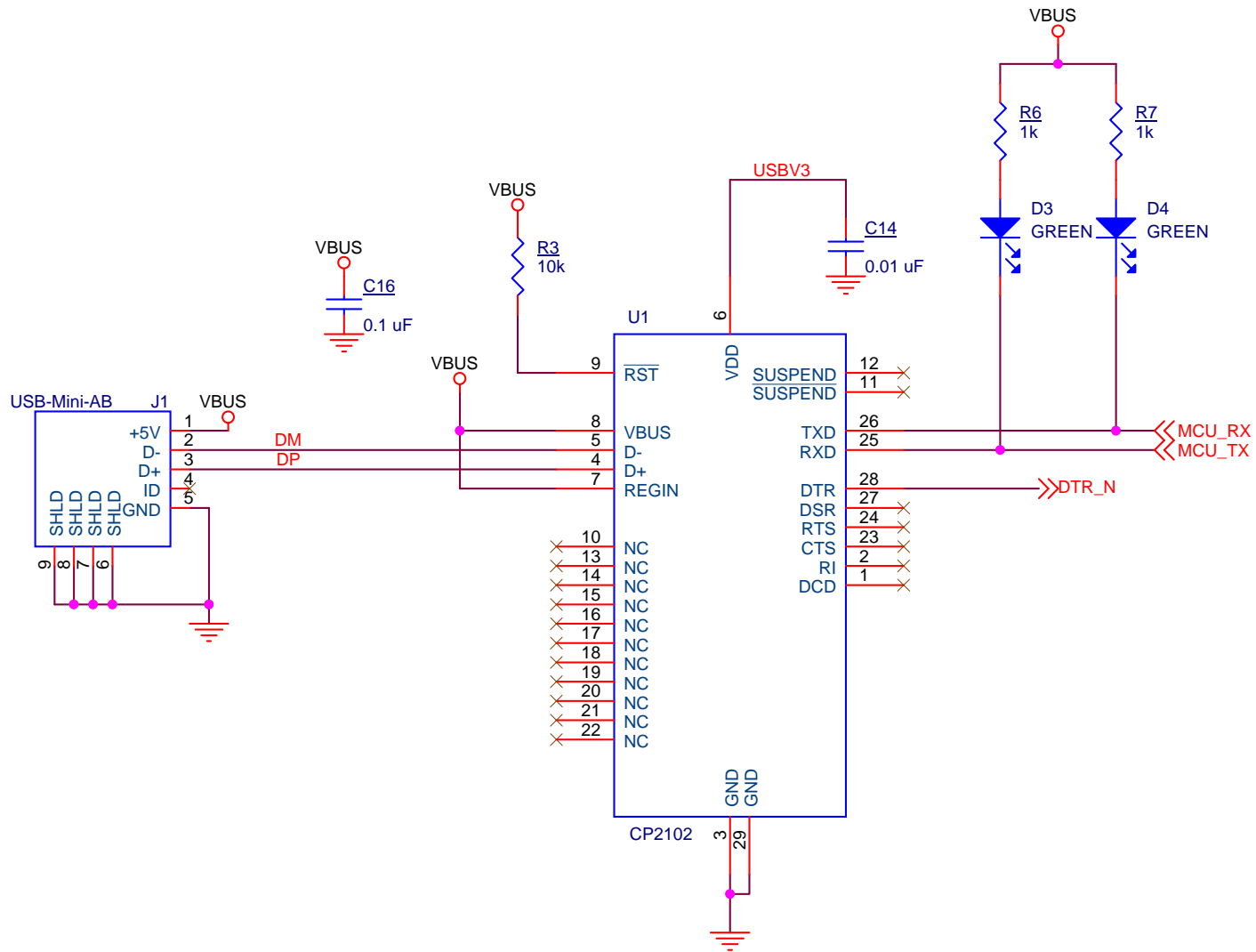


SPRINKLE THESE AROUND
GROUND SEPARATION. CAN
ALSO USE 12 PF CAPS IF
NEEDED.



FREAKLABS

Size B	Project Title: FREAKDUINO 900 MHZ LONG RANGE ATMEGA1284P RADIO	Rev v3.0
Date: Saturday, August 12, 2017	Sheet 4 of 5	



FREAKLABS

Size A Project Title: FREAKDUINO 900 MHZ LONG RANGE ATMEGA1284P Rev v3.0
 Page Title: USB

Date: Saturday, August 12, 2017 Sheet 5 of 5