

LOGIC CONVERSION FOR 3.3V/5V INTERFACE

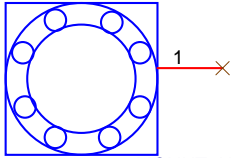
ISP CONNECTOR

LED CONTROL - THIS MAKES IT POSSIBLE TO TURN OFF THE LEDS. ESPECIALLY IMPORTANT WHEN RUNNING ON BATTERIES.

FREAKLABS

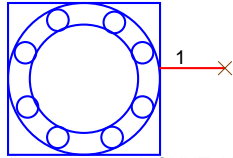
Size B	Project Title: FREAKDUINO CHIBI 2.4GHZ Page Title: MCU	Rev v3.0a
Date: Wednesday, October 26, 2016	Sheet 1 of 5	

H2



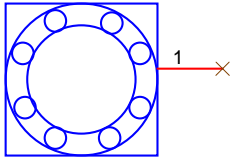
MOUNT_HOLE/MOUNT_HOLE

H1



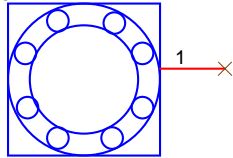
MOUNT_HOLE/MOUNT_HOLE

H4



MOUNT_HOLE/MOUNT_HOLE

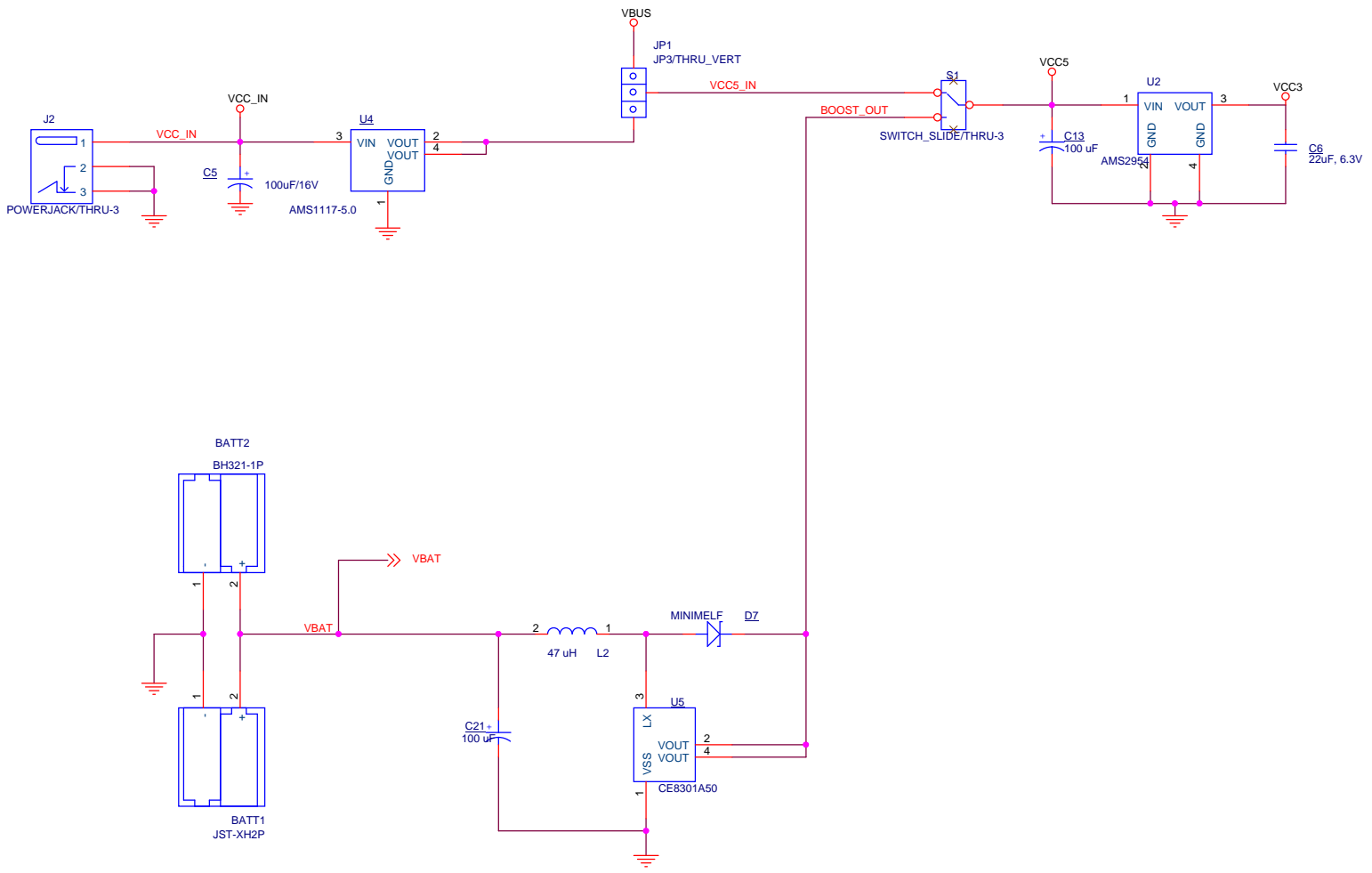
H5



MOUNT_HOLE/MOUNT_HOLE

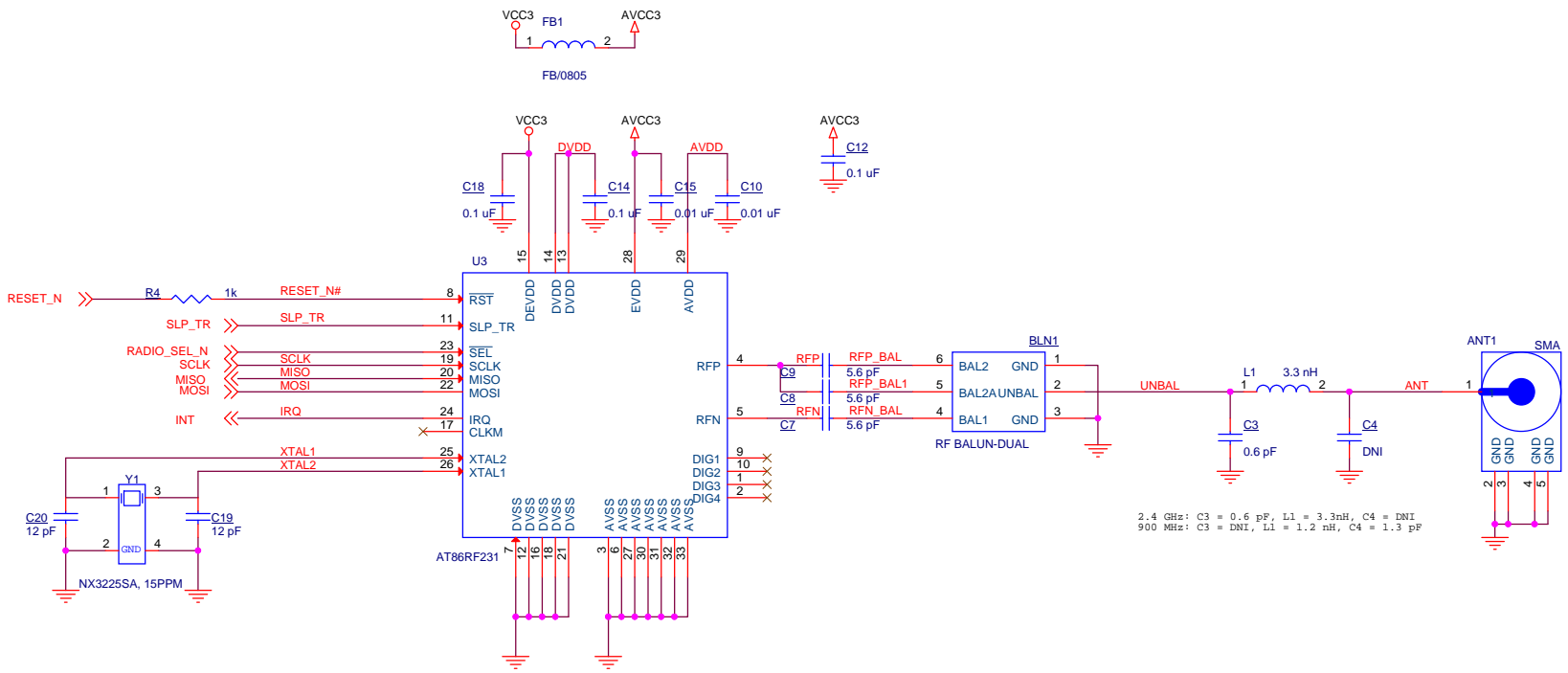
FREAKLABS

Size A	Project Title: FREAKDUINO CHIBI 2.4GHZ Page Title: MISC	Rev v3.0a
Date: Sunday, October 09, 2016	Sheet 2 of 5	



FREAKLABS

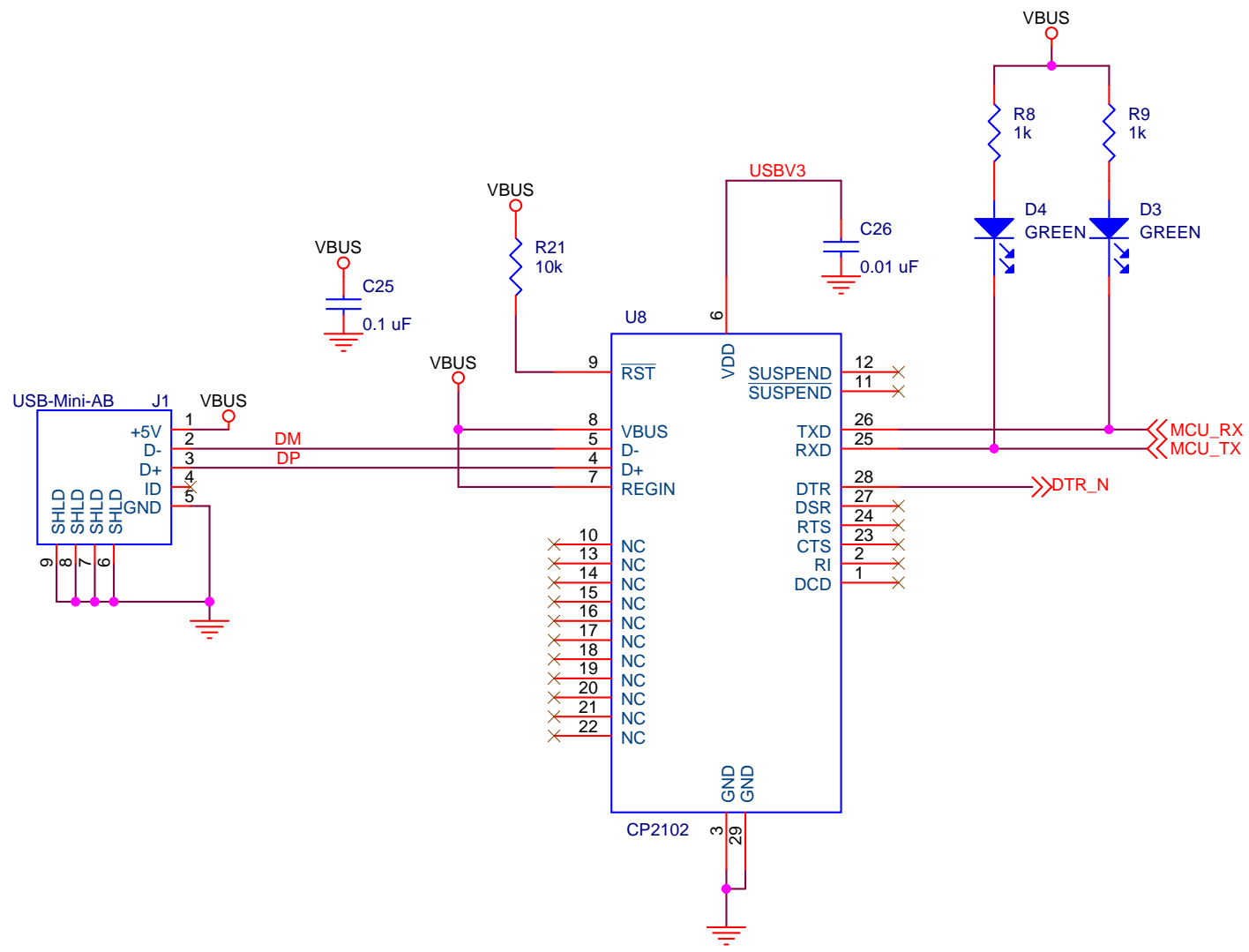
Size B	Project Title: FREAKDUINO CHIBI 2.4GHZ Page Title: POWER	Rev v3.0a
Date: Wednesday, October 26, 2016		Sheet 3 of 5



2.4 GHz: C3 = 0.6 pF, L1 = 3.3 nH, C4 = DNI
 900 MHz: C3 = DNI, L1 = 1.2 nH, C4 = 1.3 pF

FREAKLABS

Size B	Project Title: FREAKDUINO CHIBI 2.4GHZ Page Title: RADIO	Rev v3.0a
Date: Monday, May 15, 2017		Sheet 4 of 5



FREAKLABS